

## Lytton Bike Rack / Installation Guide

Concrete footing, 12 in:  
-Two 10-16-12 in minimum footing size  
-Bolt down to footing with 4\*M14\*100 mm security sleeve anchors or similar  
Or  
Concrete Slab, 12 in:  
- One 57\*16\*4 in thick slab recommended

 **Deeplinks**

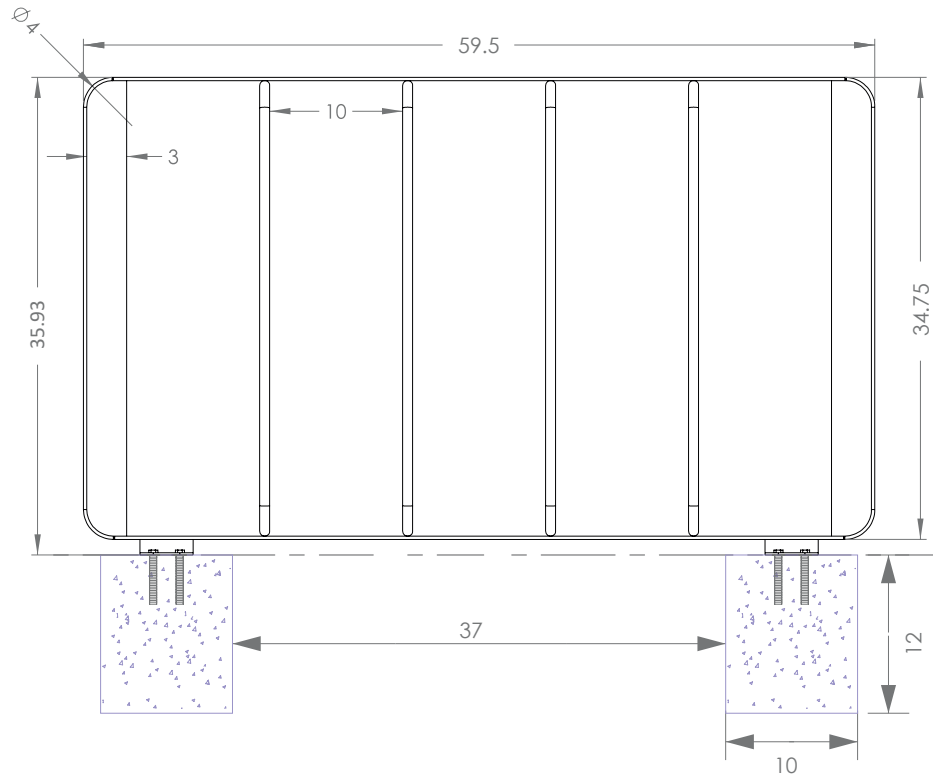
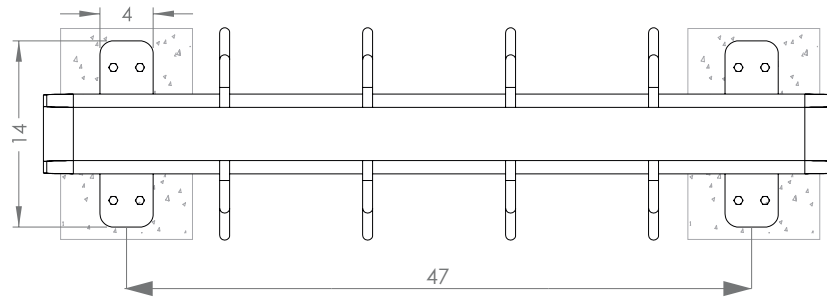
Model Code: LT-AZ-BRK-011

### Drawing:

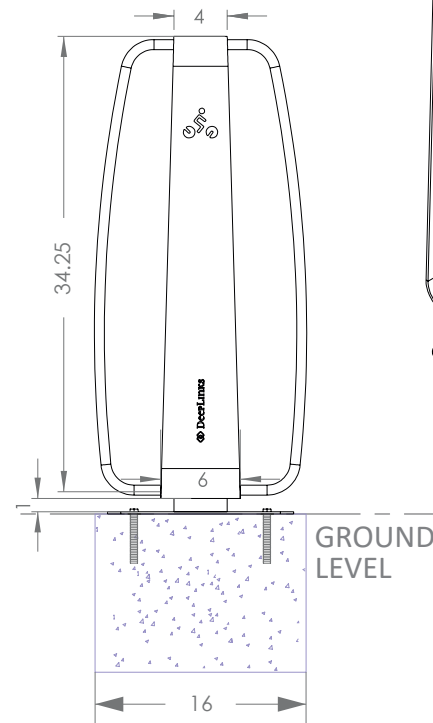
Sheet Number: 01  
Designed By: Ali Zahmatkesh

All Dimensions in inch  
Tolerances: +/- 0.05 in

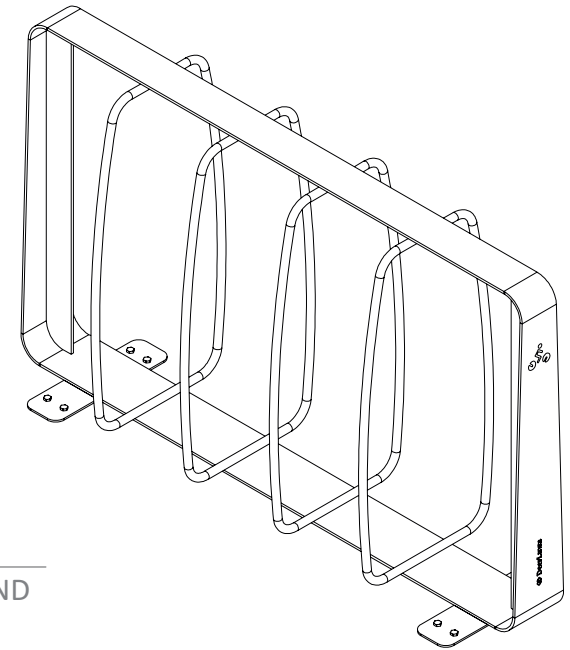
TOP VIEW



FRONT VIEW



RIGHT VIEW



PERSPECTIVE VIEW