

Lytton Fixed Bench / Installation Guide

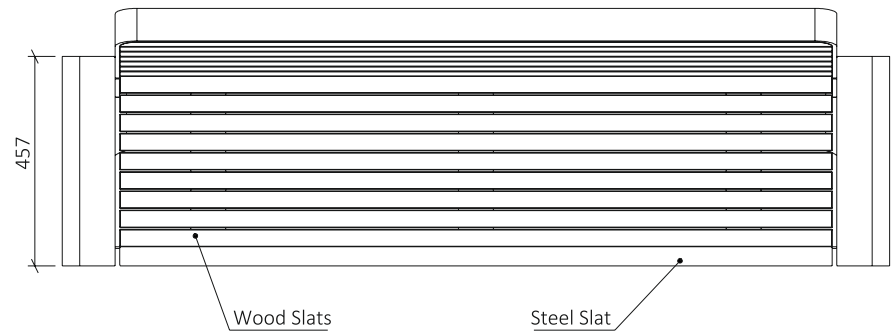
- Embedded Mounting:**
- Study the site plans
 - Check for hazards
 - Prepare the site for concrete: Digging / 250mm depth and 150mm diameter
 - Place the bollard in designated location
 - Pour the concrete

Model Code: LT-AZ-BN-011

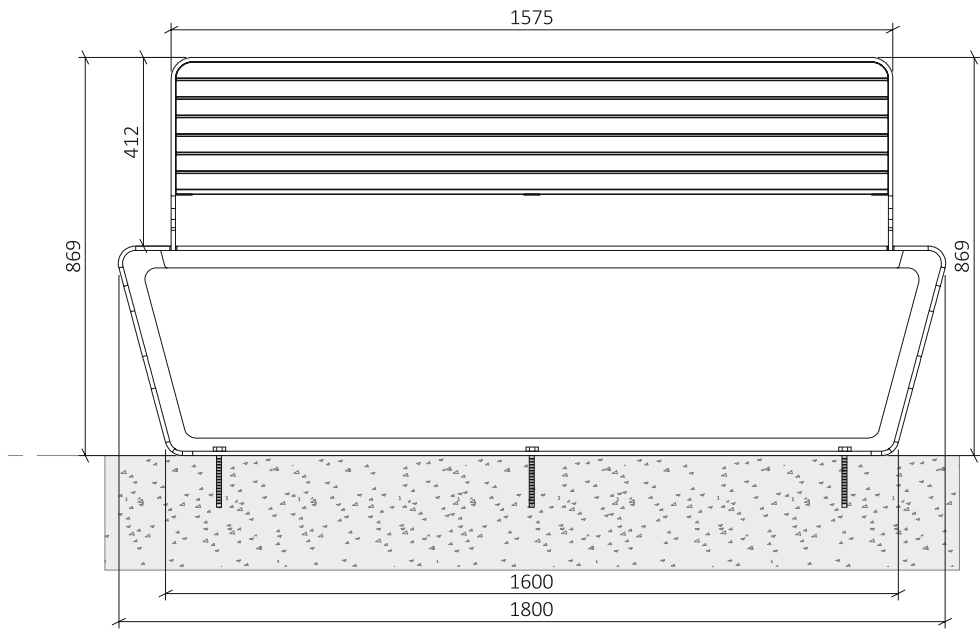
Drawing:

Sheet Number: 01
Designed By: Ali Zahmatkesh

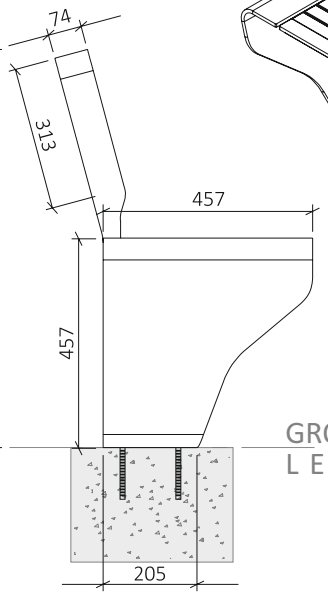
All Dimensions in mm
Tolerances: +/- 1 mm



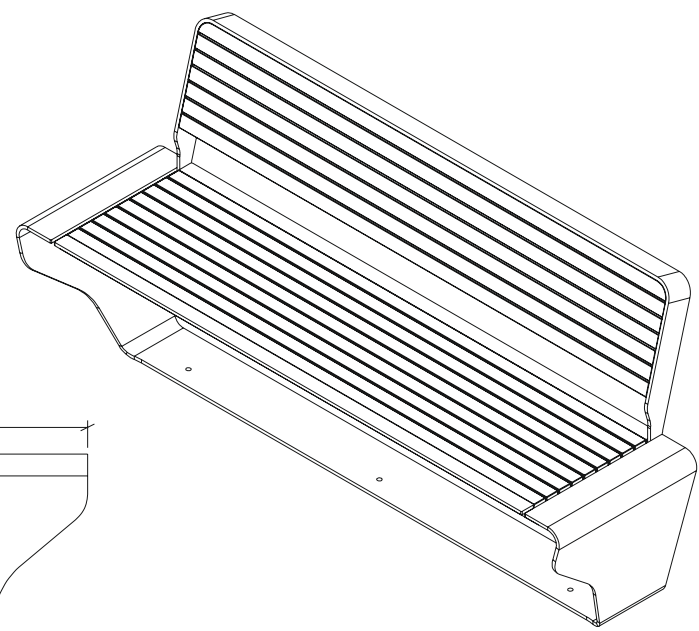
TOP VIEW



FRONT VIEW



RIGHT VIEW



PERSPECTIVE VIEW